

Webster offers you the most complete line of oil heating equipment in the industry ... fuel units ... supply and transfer pump/motor units ... and valves. All are backed by Webster's commitment to providing the best equipment and customer service. Webster ... your single source for oil heating components since 1923.

This general brochure gives a brief overview of the Webster product line. Additional information can be obtained by requesting the specific product bulletins indicated below.

**M34DK-3 SERIES
FUEL UNITS**



To meet the needs of today's fuel-efficient, down-sized burners. Webster's popular M34DK-3 fuel units provide fast fuel cut-off, and improved priming performance on one pipe installations. In addition, the M34DK-3 operates with a substantially reduced inlet flow on two pipe installations, resulting in significantly lower line noise. Webster's M34DK-3 fuel units are available in single stage, 3450 rpm models rated all 3 gph. Operating pressure is factory set at 100 psi and is adjustable to 150 psi. The M34DK-3 is able to maintain its 3 gallon fire size throughout the 100 to 150 psi pressure range. UL listed.
Bulletin FU40-9B



**M SERIES
FUEL UNITS**

Single and two stage models with 1725 and 3450 rpm operation feature compact design and field-proven reliability. These units, rated @3 to 25 gph (11 to 57 1/hr.) @ 100 psi (6.9 bar), can be used on one or two pipe installations. Double lip types seals assure low starting torque and providing positive protection from leaks. M series fuel units utilize the unique Webster rotary filter to help minimize maintenance. UL listed.
Bulletin FU40-9



**R SERIES
SERVICE SAVER® FUEL UNITS**

Webster's Service Saver R Series fuel units are available as both single and two stage units with capacities to 75 gph (284 1/hr.), satisfying virtually every replacement need. The R series incorporates Webster's unique rotary filter, reducing the need for periodic cleaning. To assure positive protection from leaks, double lip seals are used, providing lower friction than face type seals. UL listed.
Bulletin FU40-1



**V SERIES
HIGH DELIVERY FUEL UNITS**

Webster V Series fuel units are designed to meet the high delivery requirements of commercial, industrial and institutional systems, with a minimum of mechanical and hydraulic noise. Available in both single and two stage models. Single stage units provide a firing rate up to 260 gph * (980 1/hr) at up to 10' hg (254 mm) inlet vacuum. Two stage firing rates are as high as 200 gph * (760 1/hr) ast up to 15' hg (381 mm) inlet vacuum. Optional integral regulating valves are factory pre-set for 100 and 300 psi (6.9 and 20.7 bar) operation and can be easily adjusted in the field for specific system requirements.
*With 100 SSU (220 CS) oil @ 100 psi (6.9 bar) and 3450 rpm. UL listed.
Bulletin FU40-3



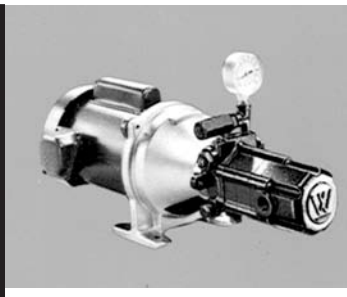
**B SERIES FUEL OIL
TRANSFER PUMPS**

B series transfer pumps provide efficient pumping of #1 to #6 type oils, in capacities from 80 to 290 gallons per hour (based on 1725 rpm), pressures, up to 500 psi (350 psi with #2 oil). B Series pumps offer superior durability and high mechanical efficiency. Double lip Viton seals are standard. B series pumps are hub mounted (factory mounted adaptor is included), and are available in right-hand or left-hand configuration. 18B, 37B, 47B series pumps have 1/2" NPTF porting, and the 59B series pump has 3/4" side inlet & side outlet porting. UL listed.
Bulletin 41-4.



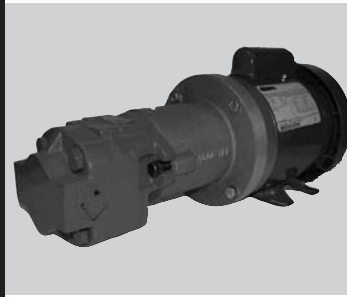
**35223, 49116, 35202 SERIES
PUMP MOTOR UNITS**

Webster 35223, 49116 and 35202 Series pump units combine an electric motor and fuel unit or transfer pump to provide a broad range of pumping capacities for transferring and supplying oil. The 35223 Series Pump/Motor Unit consists of a Webster's B Series fuel oil transfer pump close coupled to a 1/4 hp electric motor with working pressures up to 200 psi. 49116 Series Pump/Motor Units consist of a Webster 1R00 Series Fuel Transfer Unit close coupled to a 1/4 hp electric motor, capable of up to 66 gph at 100 psi. 35202 Series Pump/Motor Units consist of a Webster R Series or V Series fuel unit with integral pressure valve, close coupled to a motor. This series is available with 1/6, 1/4, 1/3 hp or 1/2 hp electric motors with a pumping capacity to 66 gph at 100 psi.
Bulletin FU41-9



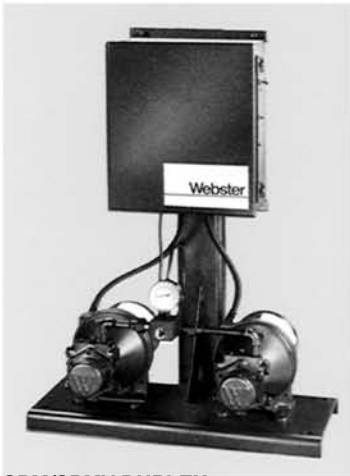
**SPM SERIES
SUPPLY PUMP MOTOR UNITS**

Developed to supply fuel oil to on or more overhead furnaces, day tanks, or for underground central distribution. Four pump/motor sizes are available, with capacities or 15, 30, 65 and 135 gph (57, 114, 245, and 510 1/hr). 1/6 hp, 1/4 hp and 1/3 hp (124 W, 186 W and 248W) motors are split phase available for either 115 or 230 volt operation. 1/2 hp (373 W) motors are capacitor start—induction run, totally enclosed with dual 115/230 volt windings. The units are shipped completely assembled and include a gauge, vacuum breaker and check valve. All are 60 cycle, 1750 rpm, continuous duty.
Bulletin FU41-9



**SPMV SERIES HIGH CAPACITY
AC PUMP/MOTOR UNITS**

Designed for high capacity applications where 430 to 1730 gph are required. Efficient gear type pumps are available in four sizes and incorporate hardened integral shafts, journals and gears. Standard motors ranging from 1/2 hp to 15 hp (373 W to 11.2 kw) are 1725 rpm NEMA "C" face, 115 volt single phase or 230 volt three phase, 60 cycle type with TEFC enclosures through 2 hp (1490 W) and OPDP enclosures over 2 hp (1490 W).
Bulletin FU41-10



SPM/SPMV DUPLEX PUMP/MOTOR UNITS

The duplex pump set has a second pump for standby or auxiliary service. Furnished with automatic or manual standby controls, the duplex automatic is equipped with a pressure sensing device which detects loss of pressure of primary pump. If standby pump is brought into service, an alarm sounds which indicates malfunction in primary pump. It is equipped with a lead-lag switch to permit manual alternation of pump to provide even pump wear. Available with either SPM or SPMV pump/motor units.

Bulletin FU41-9



M34DM-3 BIO FUEL PUMP

The M34DM-3 Bio Fuel Pump retains all the industry accepted, state-of-the-art features of the M34DK-3 fuel unit. These include faster fuel cut-off, improved priming on single pipe installations. This unit is compatible with all Bio Blends of B100-B5 and can easily replace your standard M34D or A2VA residential pump.

The M34DM-3 is capable of maintaining a three gallon per hour fire size at up to 150 PSI throughout its design life. The M34DM-3 is factory preset to 100 PSI and is adjustable to 150 PSI.

Bulletin BIO



OSV SERIES OIL SAFETY VALVES

Ideal for use in oil supply systems which have from 0 to 60 psi (0 to 4.1 bar) supply line pressure on the inlet side of the valve. Requires a sustained vacuum on the outlet side of the valve for fuel to flow to the burner pump. The OSV series provides automatic shut-off for the oil supply in case the line between the device and the burner is broken. Many state and local codes require such a device and also limit pressure on burner pumps to a maximum of 3 psi (.21 bar). UL listed.

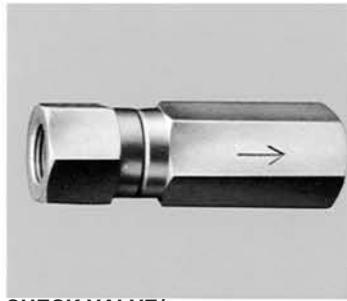
Bulletin FU43-4



RV SERIES FUEL OIL REGULATING VALVES

The RV series are designed to provide system pressure regulation for #1 through #6 fuel oil grades. Rated pressure ranges are for 0 to 500 psi (0 to 34.5 bar). RV-2000 models also provide delivery cut-off for capacities to 100 gph (378 l/hr). RV-2100 regulates pressure only for capacities to 150 gph (568 l/hr). RV-3000 regulates pressure for up to 600 gph (2270 l/hr). It can also be used as a relief valve.

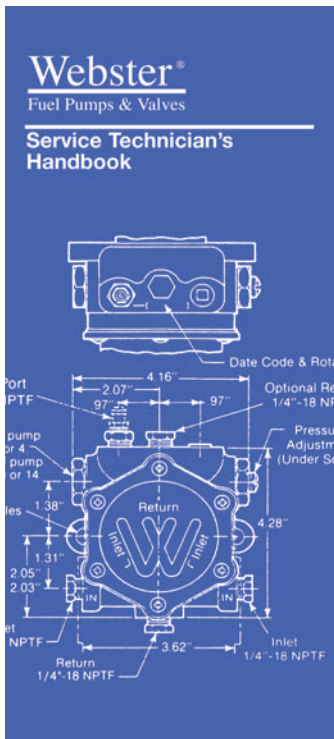
Bulletin FU41-5



CHECK VALVE/ VACUUM BREAKER (48598)

Vacuum breaker valve incorporates Viton "O" Ring seat, 3/8-18 NPTF ports. Can be used as a supply line check valve.

Bulletin FU30-9



SERVICEMAN'S HANDBOOK

This pocket-sized handbook is the oil heat industry's most complete product reference guide about fuel units, supply and transfer pump/motor units and valves. It includes over 130 pages of general information, service tips, cross reference charts, sizing charts, product specifications and countless other bits of information that you will refer to every day.

Bulletin HP-4.

Fuel Pumps & Valves
Webster®

OUR PLEDGE TO YOU:

When you buy Webster products, you buy total service. Webster is the unique, single-source supplier of an extensive line of heating products. We manufacture fuel units, supply and transfer pumps, valves and oil heat accessories.

Webster is committed to reliable servicing of its products. As always, our field service people provide professional schooling and make training materials and demonstration units available for training.

We are ready to work with you to help solve your specific heating problems. If you have any technical questions, call our toll-free HELPLINE: (800) 766-1233.

The specifications contained in this bulletin were effective at the time of publishing. Webster reserves the right to discontinue products at any time or to change specifications or design without incurring any obligation. For current information, contact Webster sales department.

Webster Fuel Pumps & Valves
219 Hahn Road
Frankfort, KY 40601
Tel: (502) 223-0025 Toll Free: (800) 766-1233
Fax: (502) 223-4629
www.websterfuelpumps.com
Email: webster@cctoolinc.com

E S Gallagher Sales LTD
920 Caledonia Road, Unit 3B
Toronto, Ontario Canada M6B 3Y1
Tel: (416) 789-5385
In Canada: (800) 430-6754
Fax: (416) 781-6734
www.esgallagher.com

Exclusive International Department
George Nikiforov Inc.
200 Park Ave., South, Suite 514
New York, NY 10003
Tel: (212) 473-4555
Fax: (212) 473-5925
international@geonikinc.com
www.geonikinc.com

Webster® Fuel Pumps & Valves