

ACCESSORIES

FOR INSTALLATION OF ALL SPLIT SYSTEMS



Asia Pacific

Europe

USA

Africa

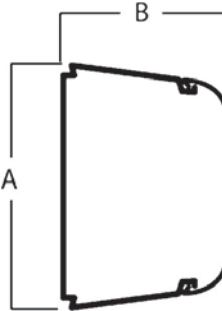


FRANCE - ITALY - UNITED KINGDOM - GERMANY - IBERIAN PENINSULA - SCANDINAVIA - RUSSIA AND BALTIC COUNTRIES - USA - CHINA - HONG KONG

www.duct-bracket.com

Easy Duct Plastic Duct

Duct

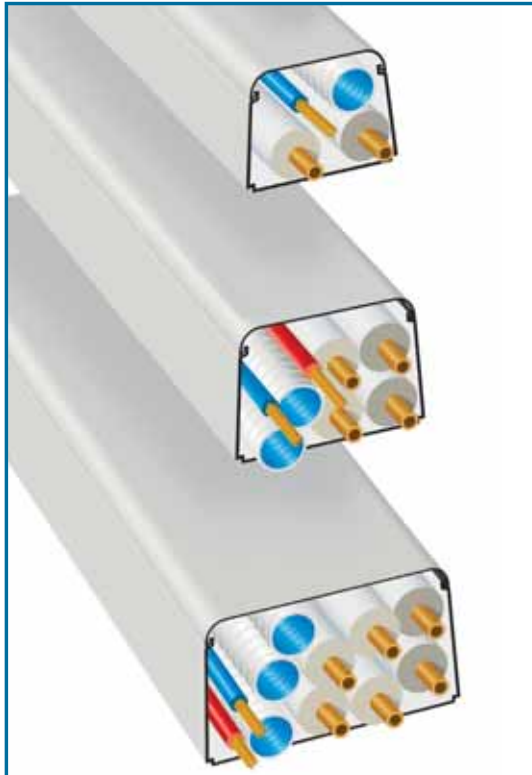


- UV-RAY STABILIZED
- FIREPROOF
- SHOCKPROOF PVC
- READY TO BE PAINTED WITH THE COLOR OF YOUR CHOICE

Color:
Ral 9010 pure white
Resistance to high and low temperatures:
-20°/+60° C (4°/+140° F)

Technical information	Unit of measure	Value	Testing method
Specific Weight	g/cm3	1.56	ISO1183
Vicat Point (kg)	°C	83.5	ISO306
Hardness	Shore D	81.5	ISO868
Tensile Strenght	N/mm2	36	ISO527
Yield Point	N/mm2	37	ISO527
Elongation at Break	%	120	ISO527
Flexural Modulus	N/mm2	3500	ISO178
Impact Strenght	J/m	55	ISO180
Infiammability	Class	V-O	UL 94

Code	9804-001-08	9802-001-08	9803-001-08
Model	DUE70	DUE90	DUE125
Dimension (mm) AXB	70x55	90x65	125x75
Dimension (inch.)	2-3/4"x2-1/8"	3-1/2"x2-9/16"	4-15/16"x2-15/16"
Qty/ctn (pcs)	12	8	4
	1 pc = 2 meter 6.5 feet	1 pc = 2 meter 6.5 feet	1 pc = 2 meter 6.5 feet



WITHOUT SAUERMANN



WITH SAUERMANN



New System of Installation: Retrofit Plastic Duct

Retrofit Plastic Duct



Code	RETROFIT70	RETROFIT90
Model	RETRO70	RETRO90
Dimension (mm) AXB	70x55	90x65
Dimension (inch.)	2-3/4"x2-1/8"	3-1/2"x2-9/16"
Qty/ctn (pcs)	18	12
	1 pc = 2 meter 6.5 feet	1 pc = 2 meter 6.5 feet

Duct Segment for Fixation to the Wall



Code	SEGMENT70	SEGMENT90
Model	SEG70	SEG90
Dimension (mm)	100 (length)	100 (length)
Dimension (inch.)	3-15/16"	3-15/16"
Qty/ctn (pcs)	25	25

A new system to hide pipes and wiring in existing air conditioner installations. No need for removing installed pipes.

No special tools required. Uses the same fittings as the "Easy Duct" line set covers DUE 70 and DUE 90. The system works by installing small duct segments to the wall. Then a top duct cover is clipped on to the segments to hide the existing pipes.



1



2



3



4



Easy Duct Fittings for Standard and Retrofit Plastic Duct



Tubing Support Bracket

To hold pipes and cables in position inside duct. Adjustable fixing height. Supplied in the currently available colour.

Code	9804-101-00	9802-101-00	9803-101-00
Model	PFBE70	PFBE90	PFBE125
Dimension (mm)	70x55	90x65	125x75
Dimension (inch.)	2-3/4"x2-1/8"	3-1/2"x2-9/16"	4-15/16"x2-15/16"
Qty/ctn (pcs)	25	25	25



Coupling Sleeve

To connect two ducts.

Code	9804-102-08	9802-102-08	9803-102-08
Model	CSE70	CSE90	CSE125
Dimension (mm.)	70x55	90x65	125x75
Dimension (inch.)	2-3/4"x2-1/8"	3-1/2"x2-9/16"	4-15/16"x2-15/16"
Qty/ctn (pcs)	25	25	25



End Duct Terminal

To finish the duct in the wall insertion

mm 125x75
inch. 4-15/16"x2-15/16"

Code	9804-114-08	9802-114-08	9803-114-08
Model	EDTE70	EDTE90	EDTE125
Dimension (mm.)	70x55	90x65	125x75
Dimension (inch.)	2-3/4"x2-1/8"	3-1/2"x2-9/16"	4-15/16"x2-15/16"
Qty/ctn (pcs)	10	10	10



Corner Bend 90°

To connect two ducts at right angle (internal angle)

Code	9804-112-08	9802-112-08	9803-112-08
Model	CBE70	CBE90	CBE125
Dimension (mm)	70x55	90x65	125x75
Dimension (inch.)	2-3/4"x2-1/8"	3-1/2"x2-9/16"	4-15/16"x2-15/16"
Qty/ctn (pcs)	10	10	10



Elbow Bend

To connect two ducts at right angle (external angle)

Code	9804-113-08	9802-113-08	9803-113-08
Model	EBE70	EBE90	EBE125
Dimension (mm)	70x55	90x65	125x75
Dimension (mm)	2-3/4"x2-1/8"	3-1/2"x2-9/16"	4-15/16"x2-15/16"
Qty/ctn (pcs)	10	10	10



Joint Reduction

To connect two ducts of different sizes

Code	9804-201-08	9803-201-08
Model	OTP70	OTP125
Dimension (mm)	90x70	125x90
Dimension (inch.)	3-1/2"x2-3/4"	4-15/16"x3-1/2"
Qty/ctn (pcs)	10	10



Wall Duct

To cover the through wall holes

Code	9804-111-08	9802-111-08	9803-111-08
Model	WDE70	WDE90	WDE125
Dimension (mm)	70x55	90x65	125x75
Dimension (inch.)	2-3/4"x2-1/8"	3-1/2"x2-9/16"	4-15/16"x2-15/16"
Qty/ctn (pcs)	10	10	10



Wall Terminal

To cover wall holes and the end part of the duct

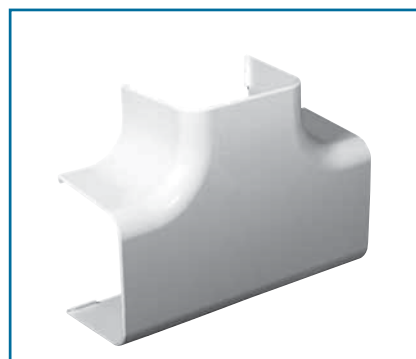
Code	9804-116-08	9802-116-08	9803-116-08
Model	WTE70	WTE90	WTE125
Dimension (mm)	70x55	90x65	125x75
Dimension (inch.)	2-3/4"x2-1/8"	3-1/2"x2-9/16"	4-15/16"x2-15/16"
Qty/ctn (pcs)	10	10	10



Flat Bend 90°

To connect at right angle one horizontal and one vertical duct

Code	9804-115-08	9802-115-08	9803-115-08
Model	FBE70	FBE90	FBE125
Dimension (mm)	70x55	90x65	125x75
Dimension (inch.)	2-3/4"x2-1/8"	3-1/2"x2-9/16"	4-15/16"x2-15/16"
Qty/ctn (pcs)	10	10	10



Tee Joint

To allow for branching of pipes and cables in multiple installations. To be used together with a OTP joint reduction

Code	9802-200-08	9803-200-08
Model	TJE90	TJE125
Dimension (mm)	90x70	125x75
Dimension (inch)	3-1/2"x2-3/4"	4-15/16"x2-15/16"
Qty/ctn (pcs)	6	6



Flexible Sleeve

Thanks to its flexibility installations will become much easier when obstacles such as eaves or beams are in the way. It can also fit duct size 2-3/4" (DUE70) by using the OTP joint reduction.

Code	9802-118-08
Model	FLES90
Dimension (mm)	90x65
Dimension (inch.)	3-1/2"x2-9/16"
Qty/ctn (pcs)	6



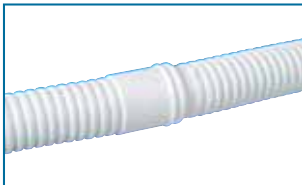
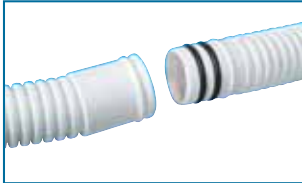
Adjustable Bend

This bend can be adjusted from 45° to 135°. It can also fit duct size 2-3/4" (DUE70) by using the OTP joint reduction

Code	9802-117-08
Model	ABE90
Dimension (mm)	90x65
Dimension (inch.)	3-1/2"x2-9/16"
Qty/ctn (pcs)	6



Condensate Drain Pipe and Accessories



Flexible Condensate Drain Pipe

Technical data

Specifically suitable for under wall installations, extremely resistant to flattening. Supplied with gaskets

Code	9899-051-01	9899-050-01
Model	CEPE16	CEPE18
dia. Ø mm	16/18	18/20
dia. Ø inch.	5/8"	3/4"
Roll length mt.	50	50
Roll length ft.	164	164
Qty/ctn	1 roll	1 roll

Vertical Trap for Ø 3/4" flexible condensate drain pipe

Offers a valuable solution for removing bad smells coming from the condensate drain hose. When installing the system this trap must be placed vertically along the draining line. A barrier is built preventing back flow.



Code	9899-295-01
Model	VTRAP
AxB (mm)	60x200
AxB (inch.)	2.36"x7.87"
Qty/ctn (pcs)	24

Three-Way Joints

For multi-split installations, they convey the drain of two condensing units to a single pipeline. For flexible hoses only. Supplied with gaskets.



T-Joint



Y-Joint



J-Joint

Code	9899-067-01	9899-065-01
Model	TJE16	TJE18
Ø (mm)	16/18	18/20
Ø (inch.)	5/8"	3/4"
Qty/ctn (pcs)	50	50

Code	9899-062-01	9899-060-01
Model	YJE16	YJE18
Ø (mm)	16/18	18/20
Ø (inch.)	5/8"	3/4"
Qty/ctn (pcs)	50	50

Code	9899-064-01
Model	JJE18
Ø (mm)	18/20
Ø (inch.)	3/4"
Qty/ctn (pcs)	50

Rough-In Boxes

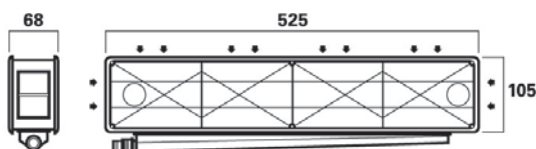


Rough-in
Box for
A/C Units

This box can be fit into the wall during building or restoring processes of a house as a container for all necessary pipework for future installation of an air conditioning system.

**VARIOUS SIZES & VERSIONS
AVAILABLE UPON REQUEST,
PLEASE ASK**

Code	9899-201-01
Model	RCPE
Dimension (mm)	525x105x68
Dimension (inc)	20-5/8"x4-1/8"x2-11/16"
Qty/ctn (pcs)	24



Optional
90° Drain
Outlet
Connector

Code	9899-063-01
Model	GO/RCPE
Qty/ctn (pcs)	48



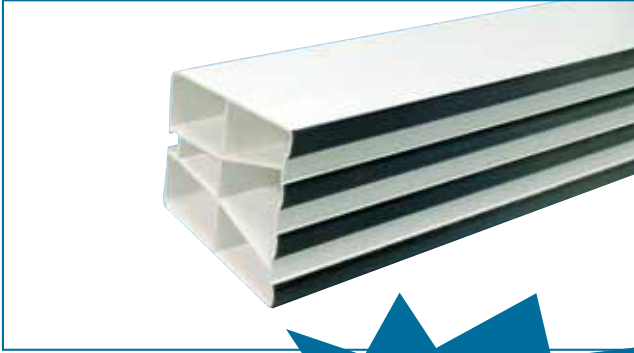
Rough-In
Box for
outside
installation

Same concept
as for RCPE but
for the outside unit



Code	9899-225-01
Model	ORCPE
Dimension (mm)	710x165x80
Dimension (inc)	27-15/16"x6-1/2"x3-1/8"
Qty/ctn (pcs)	24

Easy Duct Floor Supports



FLOOR SUPPORTS - AN ALTERNATIVE TO CONDENSING PADS



Floor Supports (without vibration dampers) with gasket

Technical data
 • **UV-ray resistant** PVC floor. Supports fitted with gasket for better adherence to the ground.

Code	9898-036-08
Model	FSEN450
Dimension (mm)	450 (length)
Dimension (inch.)	17-3/4"
Qty/ctn (pcs)	24
*packed in kits of 2 pieces	



Floor Supports (without vibration dampers)

Technical data
 PVC floor supports resistant to UV-rays and high temperatures supplied with screws and adhesive bands

Code	9898-032	9898-031
Model	FSE350	FSE450
Dimension (mm.)	350 (length)	450 (length)
Dimension (inch.)	13-3/4"	17-3/4"
Qty/ctn (pcs)	24	24
*packed in kits of 2 pieces		



End Cap for FSEN450

To avoid infiltration of dust and insects for a better installation finish

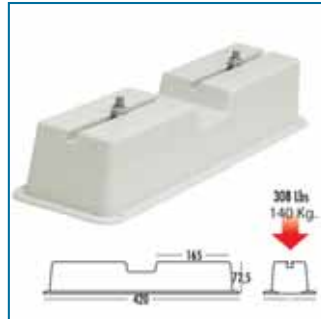
Code	9898-039-08
Model	TAP/N
Dimension (mm)	100x100
Dimension (inch.)	3-15/16"x3-15/16"
Qty/ctn (pcs)	24



End Cap for FSE350/FSE450

To avoid infiltration of dust and insects for a better installation finish

Code	9898-029-01
Model	TAP
Dimension (mm)	90x80
Dimension (inch.)	3-1/2"x3-1/8"
Qty/ctn (pcs)	24



Floor Supports (without vibration dampers)

Technical data
 • **PVC floor supports** resistant to UV-rays and high temperatures supplied with screws and bolts

Code	9898-033-01
Model	FSE420
Dimension (mm)	420 (length)
Dimension (inch.)	16-1/2"
Qty/ctn (pcs)	24

NEW



Adjustable Floor Support

Technical data

Floor supports made from nylon and glass fibre to absorb noise. Suitable for universal use, their height can be adjusted from min. 3.5" (9cm) to max. 5.5" (14 cm). The NBR O-rings placed under the blocks give extra stability. All components used are extremely wear resistant.

Capacity: Max. Load 3000 kgs/6000 lbs.

Code 9898-042

Model **FSA6000**

Dimensions

Qty./ctn (pcs) 8 kits per carton

* Each kit consists of 4 floor supports shrink wapped together (necessary to support 1 air conditioning unit)



NEW



Spanner Wrench

Technical data

Optional accessory to adjust the height of FSA6000

Code 9899-993

Model **SPAN**

Qty./ctn (pcs) 5 pieces per bag

Easy Bracket Wall Brackets



Adjustable Wall Bracket with Bar

Technical data

Made of galvanized sheet metal, with powder coated paint finish (RAL 9002) for better weather resistance. Supplied with screws, washers and plugs. Adjustable installation distance.

Tested and approved by TÜV Rheinland

Capacity: 110 Kg/242 Lbs

Code	9794-053-110	9794-051-110
Model	BSB380-110	BSB450-110
Dimension(mm.) (AxBxC)	380x420x800	450x420x800
Dimension(inch.) (AxBxC)	15"x16 1/2"x31-1/2"	17-3/4"x16-1/2"x31-1/2"
Qty/pallet (pcs)	56	56



Wall Bracket without Bar

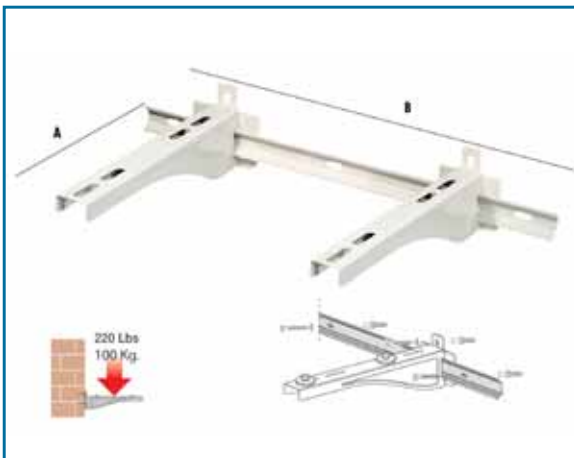
Technical data

Made of galvanized sheet metal with powder coated paint finish (RAL9002) for better weather resistance. Supplied with screws, washers and plugs.

Tested and approved by TÜV Rheinland

Capacity: 110 Kg/242 Lbs

Code	9794-057-110	9794-056-110
Model	BS380-110	BS450-110
Dimension (mm.) (AXB)	380x420	450x420
Dimension (inch.) (AXB)	15"x16-1/2"	17-3/4"x16-1/2"
Qty/pallet	100	100



Adjustable Wall Bracket with Bar

Technical data

Made of galvanized sheet metal with powder coated paint finish (RAL9002) for better weather resistance. Supplied with screws, washers and plugs. Adjustable installation distance.

Tested and approved by TÜV Rheinland

Capacity: 100 Kg/220 Lbs

Code	9794-061
Model	BS900
Dimension(mm.) (AxB)	450x800
Dimension(inch.) (AxB)	17-3/4"x31-1/2"
Qty/pallet (pcs)	56





Stainless Steel Wall Bracket

Technical data

Heavy duty brackets made of AISI 304 stainless steel. Supplied with screws only.

Tested and approved by TÜV Rheinland

Capacity: 200 Kg/440 Lbs

Code	9794-131
Model	BSX520
Dimension (mm.) (AxB)	520x400
Dimension (inch.) (AxB)	20-1/2"x15-3/4"
Qty/pallet (pcs)	100



Heavy Duty Wall Bracket

Technical data

Heavy duty brackets made of galvanized and painted sheet metal. Supplied with screws only.

Tested and approved by TÜV Rheinland

Capacity: 200 Kg/440 Lbs

Code	9794-130
Model	BS520
Dimension (mm.) (AxB)	520x400
Dimension (inch.) (AxB)	20-1/2"x15-3/4"
Qty/pallet (pcs)	100



Wall Bracket without Bar

Technical data

Made of galvanized sheet metal with powder coated paint finish (RAL9002) for better weather resistance. Supplied with screws, washers and plugs

Tested and approved by TÜV Rheinland

Capacity: 150 Kg/330 Lbs

Code	9794-147
Model	BS600
Dimension (mm.) (AxB)	600x420
Dimension (inch.) (AxB)	23-5/8"x16-1/2"
Qty/pallet	56



Easy Bracket

Roof Brackets



Roof Bracket from 30° to 60°

Technical data
Made of galvanized steel with powder coated paint finish for better weather resistance
Capacity: 140 Kg/308 Lbs

Code	9794-004
Model	RB/E
Dimension(mm.) (AxB)	1000x480
Dimension(inch.) (AxB)	39-3/8x18-7/8
Qty/pallet (pcs)	10

Floor Brackets



Cube Bracket

Technical data
Made of galvanized sheet metal, epoxy powder finish for better weather resistance. Supplied with stainless steel screws and vibration dampers. Adjustable width for units 17.72" to 34.65" wide. Model CB400 available upon request only.
Capacity: Max. Load 330 kg/727 lbs.

Code	9794-402-06
Model	CB800
Dimensions (mm) (AxB):	450-880x800
Dimensions (inch) (AxB):	17.72" - 34.65" x 31.50"

Code	9794-401-06
Model	CB400
Dimensions (mm) (AxB):	450-880x400
Dimensions (inch) (AxB):	17.72" - 34.65" x 15.75"

* Available Upon Request

Vibration Dampers



Vibration Dampers for Wall Brackets

Technical data

Made of vulcanized natural rubber with threaded metal inserts they feature excellent vibration dampening properties. Delivered in plastic bags of 4 pieces each. Nuts and washers included.

Code	9898-028	9898-027
Model	BVD30	BVD40
Dimension (mm.)	30x20	40x40
Dimension (inch.)	1-3/16"x3/4"	1-9/16"x1-9/16"
Qty/ctn (pack)	25	25



Vibration Dampers for Floor Supports

Technical data

Made of vulcanized natural rubber with threaded metal inserts they feature excellent vibration dampening properties. Delivered in plastic bags of 4 pieces each. Nuts and washers included.

Code	9898-026
Model	BVD40/B
Dimension (mm.)	40x40
Dimension (inch.)	1-9/16"x1-9/16"
Qty/ctn (pack)	25

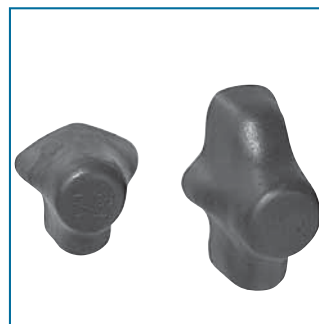
Accessories For Outside Units



Condensate Water Tray

Suitable for any type of wall bracket

Code	9899-098-01	9899-099-01
Model	WCT790	WCT940
Dimension (mm.)	790x390x30	940x420x30
Dimension (inch.)	31-3/32"x15-3/8"x1-3/16"	37"x16-1/2"x1-3/16"
Qty/ctn (pcs)	5	5



Plastic Covers for 1/2 and 1/4 Freon Taps

Technical data

Made of vulcanized natural rubber, they prevent water condensation while the air conditioner is in use. Fits all dimensions.

Code	9794-010
Model	PCFT
Qty/ctn	24 pairs



Cover for Condensing Unit

Made of PVC with double border, provided with side opening for the refrigerant pipes.

Code	9899-089
Model	FG700
Dimension(mm)	700x540x265
Dimension(inch)	27-1/2"x21-1/4"x10-7/16"
Qty/ctn (pcs)	50

Code	9899-088
Model	FG800
Dimension(mm)	800x540x265
Dimension(inch)	31-1/2"x21-1/4"x10-7/16"
Qty/ctn (pcs)	50

Code	9899-087
Model	FG860
Dimension(mm)	860x610x330
Dimension(inch)	33-7/8"x24"x13"
Qty/ctn (pcs)	50

Code	9899-086
Model	FG950
Dimension(mm)	950x610x330
Dimension(inch)	37-3/8"x24"x13"
Qty/ctn (pcs)	50

Code	9899-085
Model	FG950/2
Dimension(mm)	950x750x380
Dimension(inch)	37-3/8"x29-1/2"x15"
Qty/ctn (pcs)	50

PICTURE IS AN EXAMPLE OF PERSONALIZATION

Pumps

Our line of condensate removal pumps.

Ask for detailed catalogue!

SI3100 - SI3200



SI1730



DELTA PACK



SI1805 - SI1820



SI1102 - SI1200



SAUERMANN®, A REFERENCE BRAND FOR OVER 30 YEARS:

1976_: Creation of Sauer mann Industrie (France)

2006_: The Sauer mann® *Group is made up of 7 international subsidiaries and 2 sales offices established in Europe, America and Asia. Sauer mann® entrenches, within its corporate culture, its ambition to be the privileged partner of its customers and commits itself, through the skills and experience of its workforce, to attaining qualitative excellence, technological innovation and adopting an eco-friendly and socially responsible corporate policy.

In 2009, Customer satisfaction remains the **core value of the Group**. Sauer mann®, determined to go beyond simple awareness, adopts a program of actions formalized by a **3-point commitment charter that it is already signed up to:**

Conceiving the innovations of the future: by continuously investing heavily in Research and Development programs and by adhering to a policy of technical excellence, the Sauer mann® Group is committed to offering its customers products that, from their conception to their use and from their very core to their final design, reflect innovation at its best.

Imagining the environment of the future: by integrating the principles of sustainable development as part of the company's decision making process and by elaborating products stemming from eco-design, the Sauer mann® Group affirms its voluntary approach. Its aim, through its policy of socially responsible corporate behavior, is to put in place all necessary means to contribute actively to preserving our environment.

Developing the quality policy of the future: by unflinchingly reinforcing the permanent control of its products, the continuous improvement of its services and the efficiency of its After Sales Service, by imposing on itself compliance with European and International Directives and Standards and obtaining certifications awarded by independent and certified laboratories, the Sauer mann® Group places listening to its customer at the heart of its quality policy.

*The company and its production sites are AFAQ, TÜV and IQ Net certified. Its products are CETLUS, VDE and CE certified and comply with the **RoHS and WEEE** European Directives.*



As part of our commitment to protecting the environment, this document has been printed on recycled paper.

For the *smart* and *simple* installation

DOC US 00008 03/08 10/09/EX CONCEPTION  WWW.FUTUR-IMMEDIAT.COM REALISATION:ATELIER CHEVARRA ETC.



As part of our commitment to protecting the environment, this document has been printed on recycled paper.

We reserve the right to make any technical modifications to the products herein at any time without prior notice.

FOR TECHNICAL SUPPORT :
1-877-30-PUMPS
(1-877-307-8677)

SAUERMANN N.A. Corp.
415 Oser Avenue, Suite P,
Hauppauge, NY 11788 / USA
Tel: (+1) 631-234-7600
Fax: (+1) 631-234-7605
E-mail: sales@sauermann.us



FRANCE - ITALY - UNITED KINGDOM - GERMANY - IBERIAN PENINSULA - SCANDINAVIA - RUSSIA AND BALTIC COUNTRIES - **USA** - CHINA - HONG KONG

www.duct-bracket.com